

# Smokeguard

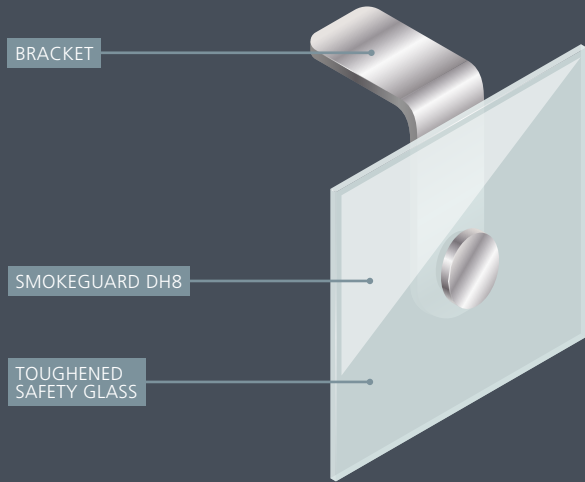
- DH30/8
- DH60/8

EN 12101-1 SMOKE BARRIER  
EN 12150-2 TOUGHENED SAFETY GLASS



## Classification: DH

Offers effective and economical protection from smoke and movement.



Smoke protection



Toughened glass



Weight 20 kg/m<sup>3</sup>



Sound reduction 33 dB



Impact resistance 1C1



Light transmission 90%



Temp range -100°C/+100°C

CHARACTERISTICS	DH30/8	DH60/8
FIRE RESISTANCE (EN 13501-2)	D <sub>600</sub> 30	D <sub>600</sub> 60
GLASS PRODUCTION SIZE MIN - MAX (mm)	300 x 400 2040 x 3600	300 x 400 2040 x 3600
THICKNESS AND TOLERANCE (mm)	8 (-0.5/+0.5)	8 (-0.5/+0.5)
WEIGHT (kg/m <sup>2</sup> )	20	20
R <sub>w</sub> (C;Ctr) SOUND REDUCTION (EN 140-3)	33 (-1;-2)	33 (-1;-2)
T <sub>v</sub> LIGHT TRANSMISSION (EN 410) (%)	90	90
U <sub>g</sub> VALUE (EN 673) W/m <sup>2</sup> K	5.6	5.6
g VALUE (EN 410)	0.85	0.85
TEMPERATURE RANGE (°C)	-100/+100	-100/+100
REACTION TO FIRE (EN 13501-1)	A1	A1
IMPACT RESISTANCE (EN 12600)	1C1	1C1
UV STABILITY (EN ISO 12543-4)	✓	✓
CE CERTIFICATE OF CONFORMITY	1812-CPR-1640	1812-CPR-1640